

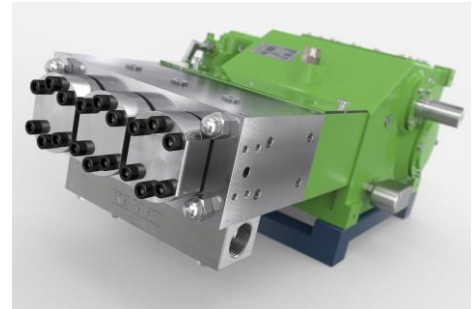
## 三柱塞泵 K 13000 – 3G

P 25-1

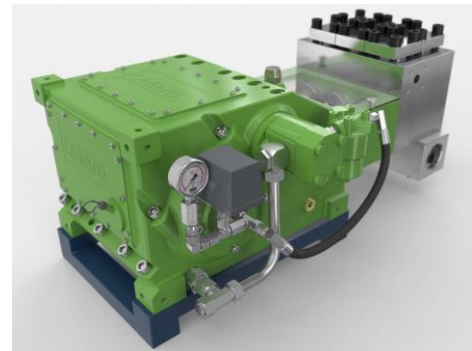
### Triplex Plunger Pump

01.10.2015

- 流量基于100%的容积效率和20°C的环境温度
- 最小入口压力取决于流体介质
- 速度范围10-100%取决于连杆力
- 动态平衡齿轮
- 齿轮强制润滑 (> 75 kW, 带油冷却器)
- 标准减速比  
i = 3,00 - 3,14 - 3,39 - 3,76 - 4,13 - 4,50 - 4,93
- 适用API 674标准
- 根据要求, 可以使用特殊介质, 例如海水, 乙二醇, 甲醇, 油等



- Flow rate is based on 100% volumetric efficiency and 20°C ambient temperature
- min. inlet pressure depending on fluid medium
- Speed range 10-100% depending on rod force
- Gear dynamically balanced
- Gear with force-fed lubrication (> 110 kW with oil cooler)
- Standard gear ratios  
i = 3,00 - 3,14 - 3,39 - 3,76 - 4,13 - 4,50 - 4,93
- Also available to API 674  
Special medium such as sea water, glycol, methanol, oils, etc. on request



n <sub>nom</sub> = 475 1/min		p max. bar @ kW				Kopftyp / Head type		
Typ / Type	l/min	75 kW	90 kW	110 kW	130 kW	A	M	MC
K 13014 – 3G	23	1720	2070	2540	3000	1		
K 13016 – 3G	30	1320	1590	1940	2300	1		
K 13018 – 3G	38	1035	1235	1660	1810	1		
K 13020 – 3G	47	850	1010	1220	1430	2		
K 13022 – 3G	57	715	845	1015	1180	2		
K 13024 – 3G	68	600	720	860	995	2		H
K 13026 – 3G	79	515	620	760	845	2		H
K 13028 – 3G	92	445	530	655	730	2		H
K 13030 – 3G	106	390	460	565	635	2		H
K 13032 – 3G	120	340	410	500	560	2		H
K 13036 – 3G	152	260	310	380	440	2	1	H
K 13040 – 3G	188	205	245	300	355		1	1
K 13045 – 3G	238	160	195	235	280		1	1
K 13050 – 3G	294	130	155	190	225		1	1
K 13055 – 3G	355	110	130	160	185		1	1
K 13060 – 3G	423	95	110	135	155		1	1
K 13065 – 3G	496	80	95	115	135			1

API 674 = max. 340 1/min

= Ultra High Pressure UHP

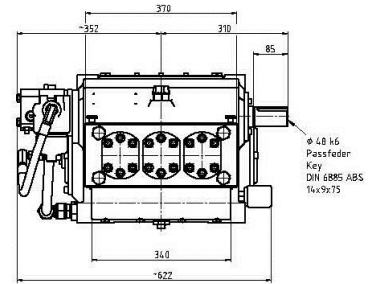
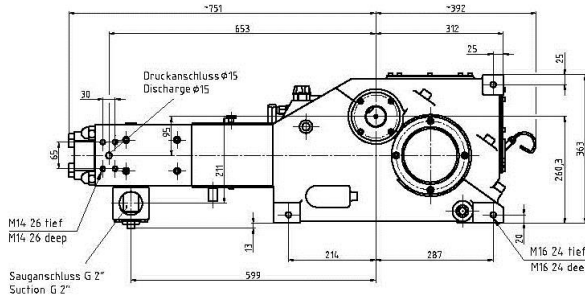
# 尺寸图 K 13000 – 3G

Dimension drawing

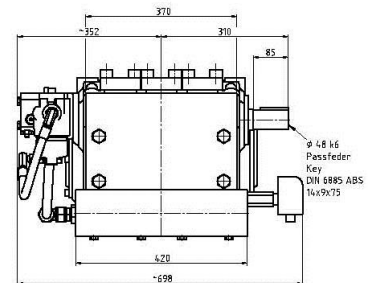
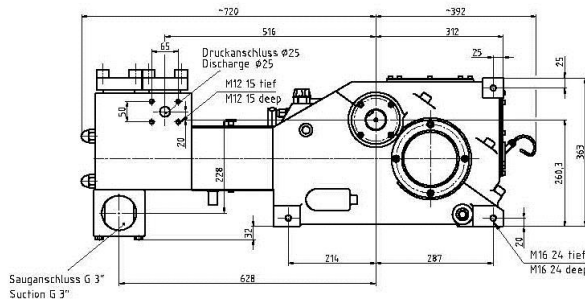
~ 440 kg P 25-2

01.05.2017

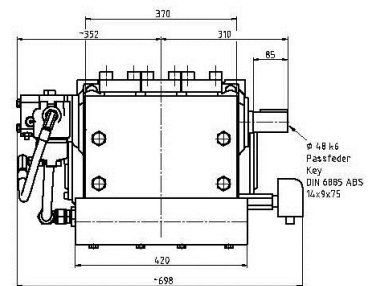
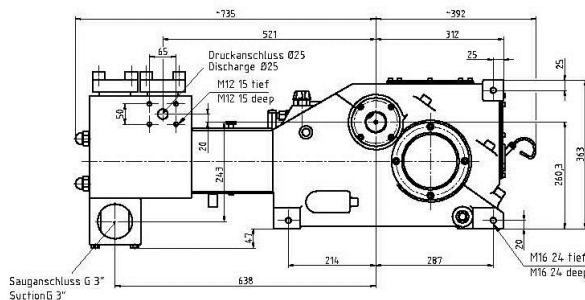
Typ A  
Type A



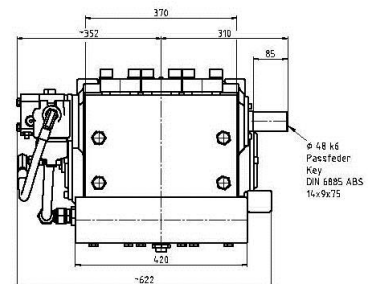
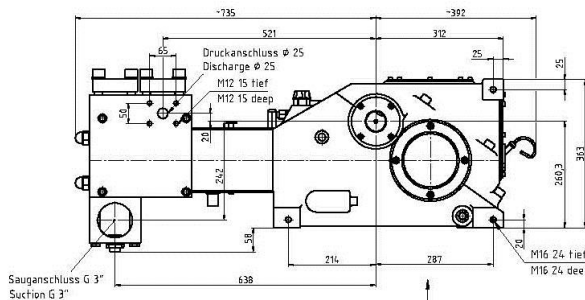
Typ M  
Type M



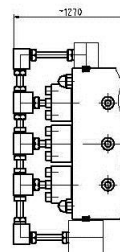
Typ MC  
Type MC



Typ MCH  
Type MCH



Typ A  
Type A  
 $\approx 1500$  bar



Höchstdruckkopf  $\approx 1500$  bar  
High Pressure Head  $\approx 1500$  bar

Fußmaßzeichnung  
Footprint

